



**SUNSAVER™**  
SOLAR CONTROLLER

Morningstar's **SunSaver** is the world's leading small solar controller for both professional and consumer applications.

**SunSaver's technology provides:**

- Exceptional Reliability
- PWM Battery Charging
- Consistent High Quality

The SunSaver's advanced design delivers outstanding performance and value. The SunSaver's low cost is made possible by Morningstar's unique approach to design and manufacturing:

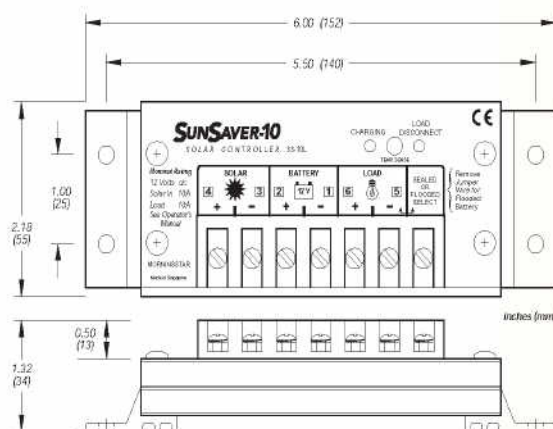
- Automated production
- ISO 9002 quality programs
- Latest power electronic technologies
- Latest control and logic technologies
- High volume manufacturing

**Features:**

- Eight versions available (see back)
  - 12 and 24 volts
  - 6, 10 and 20 amps
- 100% solid state
- Series design (not shunt)
- True 0 to 100% PWM duty cycle
- Setpoint accuracy to 35 mV
- Rated for 25% overloads
- Fully encapsulated in epoxy potting
- Marine rated terminals / anodized case
- Temperature compensation
- Sealed / Flooded battery select
- No need to derate
- Parallel for 40 amps or more
- Green charging / Red LVD indicators

### SunSaver Model Selection Chart

MODEL NUMBER	SOLAR RATING (Amps)			LOAD RATING (Amps)			LVD	12V	24V
	0	10	20	0	10	20			
• SS-6	0-10	10-20	20-0	0-10	10-20	20-0	Yes	Yes	Yes
• SS-6L	0-10	10-20	20-0	0-10	10-20	20-0	Yes	Yes	No
• SS-10	0-10	10-20	20-0	0-10	10-20	20-0	Yes	Yes	Yes
• SS-10L	0-10	10-20	20-0	0-10	10-20	20-0	Yes	Yes	No
• SS-10-24V	0-10	10-20	20-0	0-10	10-20	20-0	Yes	No	Yes
• SS-10L-24V	0-10	10-20	20-0	0-10	10-20	20-0	Yes	No	No
• SS-20L	0-10	10-20	20-0	0-10	10-20	20-0	Yes	Yes	No
• SS-20L-24V	0-10	10-20	20-0	0-10	10-20	20-0	Yes	No	No

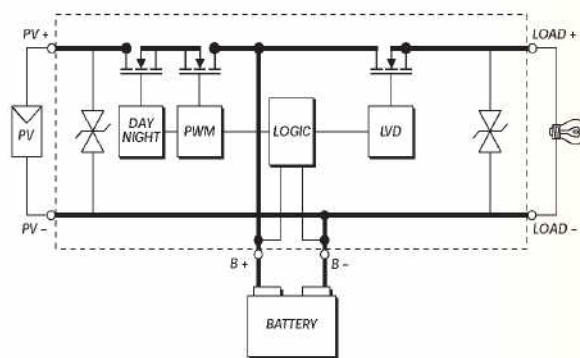


### Mechanical Specifications

- Wire size #10 AWG (5.2 mm<sup>2</sup>)
- Anodized aluminum case
- Marine rated terminals
- Epoxy encapsulated
- Weight is 8 oz (0.23 kg)

### Electrical Specifications

	12 Volt	24 Volt
Rated Solar Input	6.5/10/20 A	
Rated Load		6/10/20 A
25% Current Overload	5 min.	5 min.
Regulation Voltage:		
Sealed Battery	14.1 V	28.2 V
Flooded Battery	14.4 V	28.8 V
Load Disconnect	11.5 V	23.0 V
LVD Reconnect	12.6 V	25.2 V
Temp. Comp. (mV/°C)	-28	-56
Self-consumption	6 to 10 mA	
Operating Temp.	-40 to +85°C	



**WARRANTY:** Five year warranty period. Contact Morningstar or your authorized distributor for complete terms.

AUTHORIZED MORNINGSTAR DISTRIBUTOR:

Available From



38150 River Frontage Rd.  
New Castle CO.  
970-984-3750  
solarpanelstore.com



1098 Washington Crossing Road  
Washington Crossing, PA 18977 USA  
Tel: 215-321-4457 Fax: 215-321-4458  
E-mail: info@morningstarcorp.com  
Website: www.morningstarcorp.com

